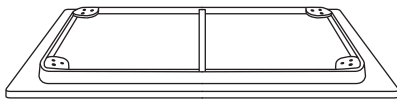


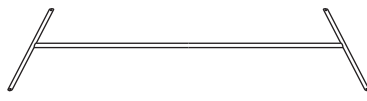
# Oregon Counter Table

Part # CT-OR XX+XX

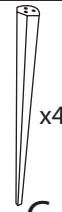
18-0411

**PARTS**

A



B

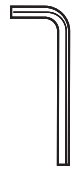


x4

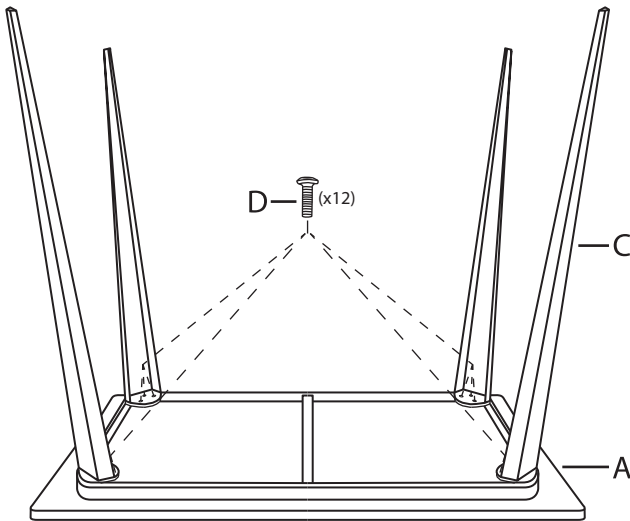
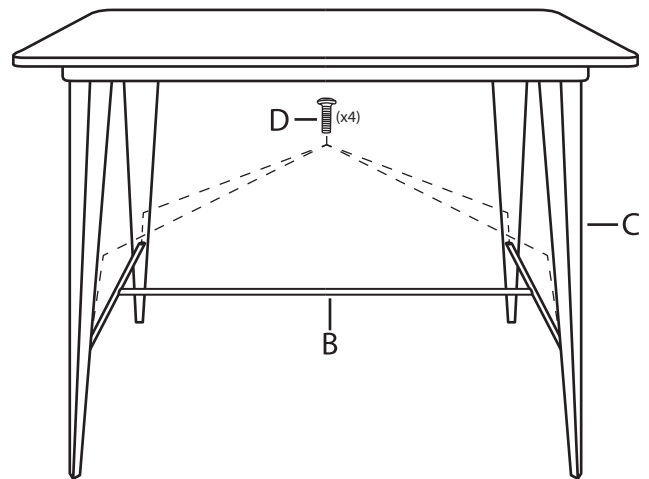
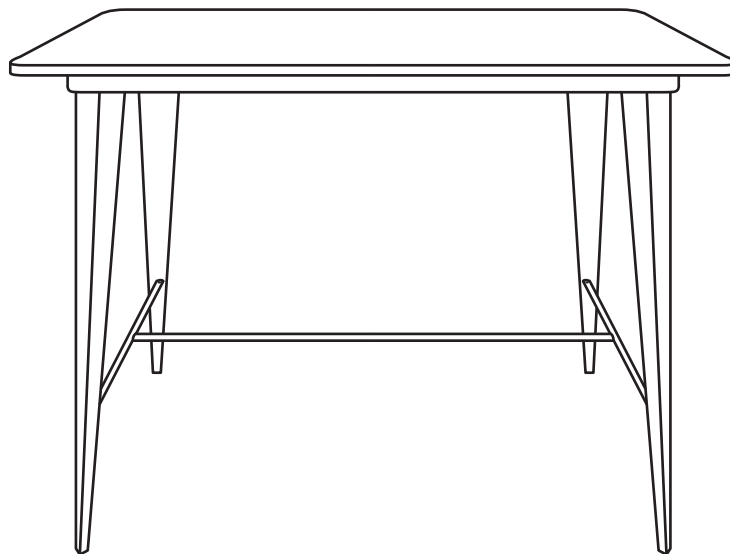
C

(M6 x 16)  
x16

D



E

**1****2****3**

Do not over tighten.  
Do not use power tools to assemble.